

810P LAVATORY

Accessible Collection

Enjoy the simple, timeless style of this proven performer

- Standard Integral Front Overflow
- Options: Side overflow, Offset overflow, No overflow
- Made from an acrylic-polyester based material
- Nonporous surface, that with proper cleaning, resists mold, mildew and stains
- Suitable for multi-bowl installations in both residential and commercial settings
- ADA compliant when installed according to guidelines

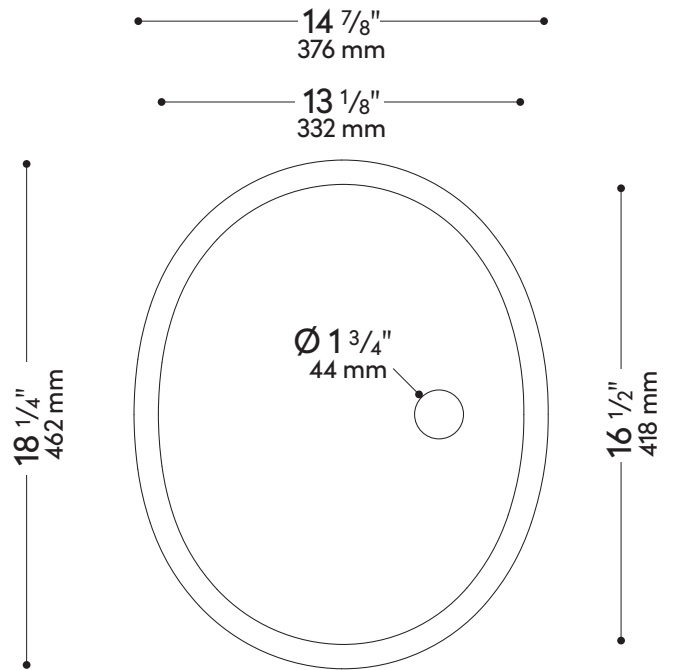
INSIDE SINK DIMENSIONS

	Length	Width	Depth
inches	16 1/2	13 1/8	5 1/2
mm	418	332	138

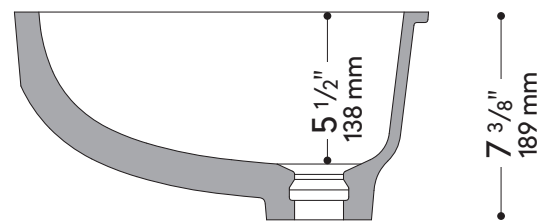
Measurements rounded to nearest 1/8" or mm



TOP VIEW



SIDE CROSS SECTION



DRAIN

All drain holes in sinks are nominally 1 3/4" in diameter and accept all standard drain hardware.

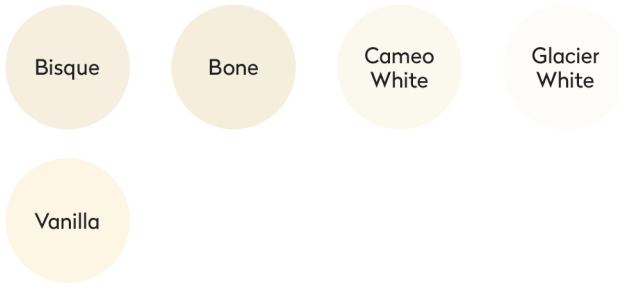
810P LAVATORY

COLOR SELECTIONS

Group A:



Group B:



Group A colors are color-coordinated. They are similar to existing sheet colors but more opaque and not an exact match. They should be seamed to contrasting sheet colors.

Group B colors are color and translucency-matched. They can be seamed to sheet colors with the same color name for a continuous appearance.

Images shown may vary from actual color, we recommend ordering a material sample to ensure color and aesthetic accuracy.

CERTIFICATIONS

Complies with the requirements in CSA B45.5/IAPMO Z124 standard for plastic plumbing fixtures and the requirements in the HUD Use of Materials Bulletin No. 73a.

Corian® Solid Surface plumbing products are listed by Home Innovation Research Labs and UL as meeting the requirements of the Uniform Plumbing Code, the International Plumbing Code, and are listed by ULC as meeting the requirements of the National Plumbing Code of Canada. Corian® Solid Surface is GREENGUARD Gold Certified for low VOC emissions.

WARRANTY

DuPont offers limited commercial and residential warranties.

ADDITIONAL INFORMATION

For additional information or support please contact your local distributor, visit corian.com or call 1-800-4-CORIAN (800 426-7426).

PLEASE VISIT OUR WEB SITE: WWW.CORIAN.COM OR CONTACT YOUR CORIAN® DESIGN REPRESENTATIVE FOR MORE INFORMATION ABOUT CORIAN® DESIGN.

This information is based on technical data that E. I. du Pont de Nemours and Company and its affiliate ("DuPont") believe to be reliable, and is intended for use by persons having technical skill and at their own discretion and risk. DuPont cannot and does not warrant that this information is absolutely current or accurate, although every effort is made to ensure that it is kept as current and accurate as possible. Because conditions of use are outside DuPont's control, DuPont makes no representations or warranties, express or implied, with respect to the information, or any part thereof, including any warranties of title, non-infringement of copyright or patent rights of others, merchantability, or fitness or suitability for any purpose and assumes no liability or responsibility for the accuracy, completeness, or usefulness of any information. This information should not be relied upon to create specifications, designs, or installation guidelines. The persons responsible for the use and handling of the product are responsible for ensuring the design, fabrication, or installation methods and process present no health or safety hazards. Do not attempt to perform specification, design, fabrication, or installation work without proper training or without the proper personal protection equipment. Nothing herein is to be taken as a license to operate under or a recommendation to infringe any patents. DuPont shall have no liability for the use of or results obtained from such information, whether or not based on DuPont's negligence. DuPont shall not be liable for (i) any damages, including claims relating to the specification, design, fabrication, installation, or combination of this product with any other product(s), and (ii) special, direct, indirect or consequential damages. DuPont reserves the right to make changes to this information and to this disclaimer. DuPont encourages you to review this information and this disclaimer periodically for any updates or changes. Your continued access or use of this information shall be deemed your acceptance of this disclaimer and any changes and the reasonableness of these standards for notice of changes.

Copyright© 2018 E. I. du Pont de Nemours and Company. The Corian® Design Logo and Corian® are trademarks of E. I. du Pont de Nemours and Company or its affiliates. All rights reserved.